

Parts book

High speed bartack sewing machine

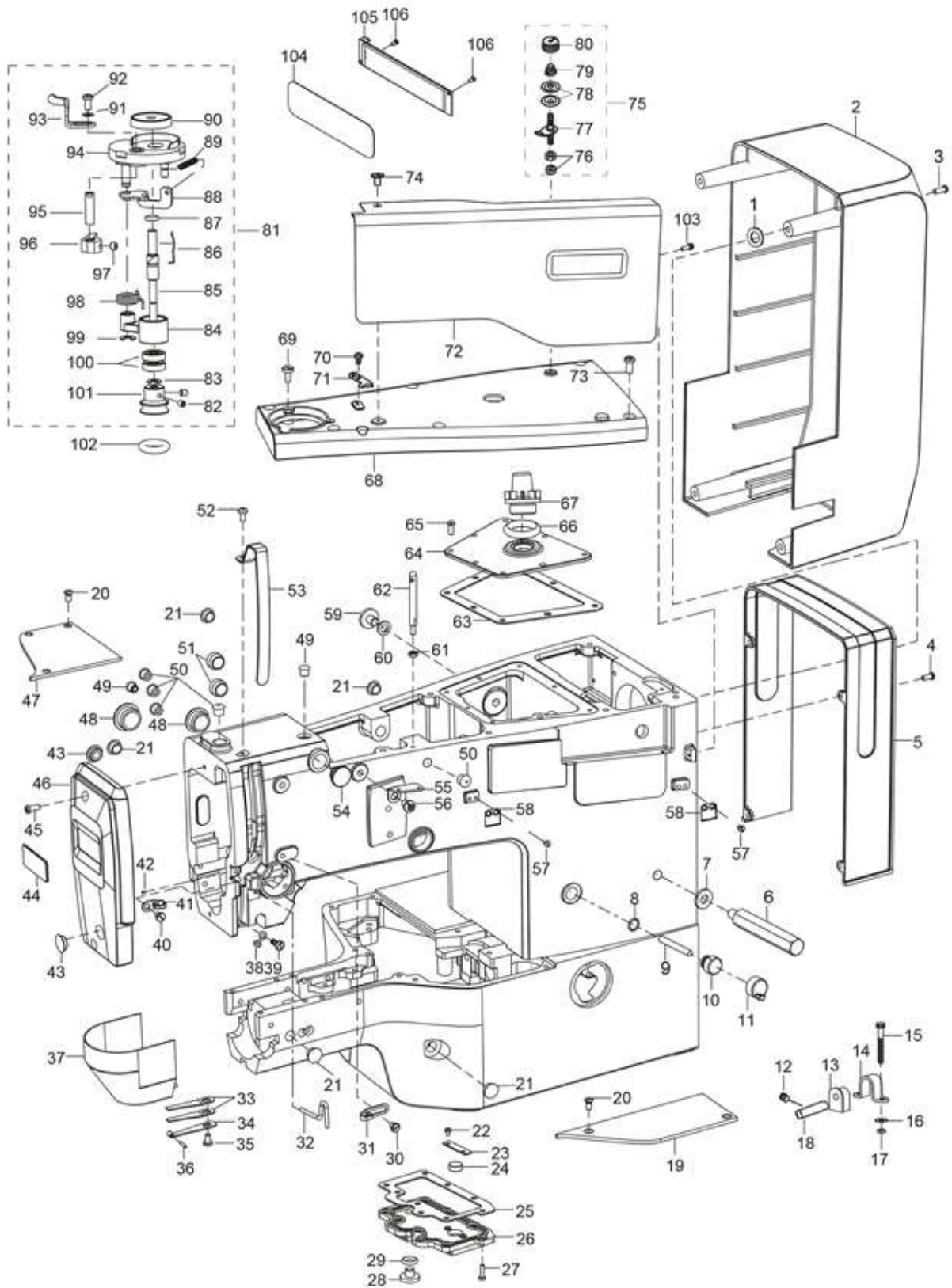
Catenaccio

 *texi*

TABLE OF CONTENTS

| | |
|---|----|
| 1. FRAME AND MISCELLANEOUS COMPONENTS..... | 1 |
| 2. MAIN SHAFT AND NEEDLE BAR COMPONENTS..... | 5 |
| 3. SHUTTLE DRIVER SHAFT COMPONENTS..... | 9 |
| 4. LIFT PRESSERS AND WIPER MECHANISM COMPONENTS..... | 12 |
| 5. TENSION RELEASE AND THREAD TENSION COMPONENTS..... | 15 |
| 6. TENSION RELEASE AND THREAD TRIMMER MECHANISM COMPONENTS..... | 17 |
| 7. FEED MECHANISM COMPONENTS..... | 20 |
| 8. SENSOR COMPONENTS..... | 23 |
| 9. THREAD STAND COMPONENTS..... | 25 |
| 10. ACCESSORIES PART COMPONENTS..... | 27 |
| 11. OPTIONAL PARTS..... | 30 |

1. FRAME AND MISCELLANEOUS COMPONENTS



1. FRAME AND MISCELLANEOUS COMPONENTS

| No. | Part no. | Description | Qty |
|-----|----------|---|-----|
| 1 | 10011135 | STOPPER | 1 |
| 2 | 10062668 | MOTOR COVER | 1 |
| 3 | 10010900 | SCREW SM11/64"×40 L=12 | 4 |
| 4 | 10000348 | SCREW M4×10 | 4 |
| 5 | 10062670 | THE BACK PANEL | 1 |
| 6 | 10052703 | HAND SHANK | 2 |
| 7 | 10028127 | RUBER WASHER $\phi 8 \times \phi 20 \times 3.5$ | 2 |
| 8 | 10012139 | RUBBER RING | 1 |
| 9 | 10021559 | PIN | 1 |
| 10 | 10002483 | EXHAUST VALVE | 1 |
| 11 | 10008771 | RUBBER COVER | 1 |
| 12 | 10011232 | SCREW | 2 |
| 13 | 10011137 | HINGE RUBBER | 2 |
| 14 | 10011160 | BED HINGE | 2 |
| 15 | 10011147 | SCREW | 4 |
| 16 | 10003076 | WASHER | 4 |
| 17 | 10003084 | NUT | 8 |
| 18 | 10011141 | PIN | 2 |
| 19 | 20023935 | THE RIGHT BED PANEL | 1 |
| 20 | 10011559 | SCREW | 5 |
| 21 | 10011136 | RUBBER PLUG $\phi 10.5$ | 4 |
| 22 | 10000040 | SCREW | 2 |
| 23 | 10001242 | PLATE | 1 |
| 24 | 10001096 | MAGNET | 1 |
| 25 | 10037232 | GEAR BOX SEAL GASKET | 1 |
| 26 | 10037233 | GEAR BOX COVER | 1 |
| 27 | 10000560 | SCREW SM11/64"×40 L=16 | 9 |
| 28 | 10008783 | SCREW | 1 |
| 29 | 10010204 | RUBBER RING | 1 |
| 30 | 10011142 | SCREW | 1 |
| 31 | 10008940 | THE RIGHT THREAD GUIDE | 1 |
| 32 | 10037247 | L-SHAPED THREAD GUIDE | 1 |
| 33 | 10010807 | HOOK COVER PRESSER SPRING B | 1 |
| 34 | 10011420 | HOOK COVER PRESSER SPRING A | 1 |
| 35 | 10010808 | SCREW | 1 |
| 36 | 10010815 | PIN | 1 |
| 37 | 20023956 | SHUTTLE RACE CAP | 1 |
| 38 | 10011139 | THREAD GUIDE | 1 |
| 39 | 10010668 | SCREW | 1 |
| 40 | 10011142 | SCREW | 1 |
| 41 | 10014281 | THE MID THREAD GUIDE | 1 |
| 42 | 10011887 | SCREW | 1 |
| 43 | 10011099 | RUBBER PLUG $\phi 12.5$ | 2 |
| 44 | 10062054 | PLATE | 1 |
| 45 | 10011150 | SCREW | 2 |
| 46 | 20023811 | FACE COVER | 1 |
| 47 | 20023934 | THE LEFT BED PANEL | 1 |
| 48 | 10011146 | RUBBER PLUG $\phi 20.8$ | 2 |
| 49 | 10011188 | RUBBER PLUG $\phi 7.4$ | 2 |
| 50 | 10010587 | RUBBER PLUG $\phi 8.5$ | 5 |

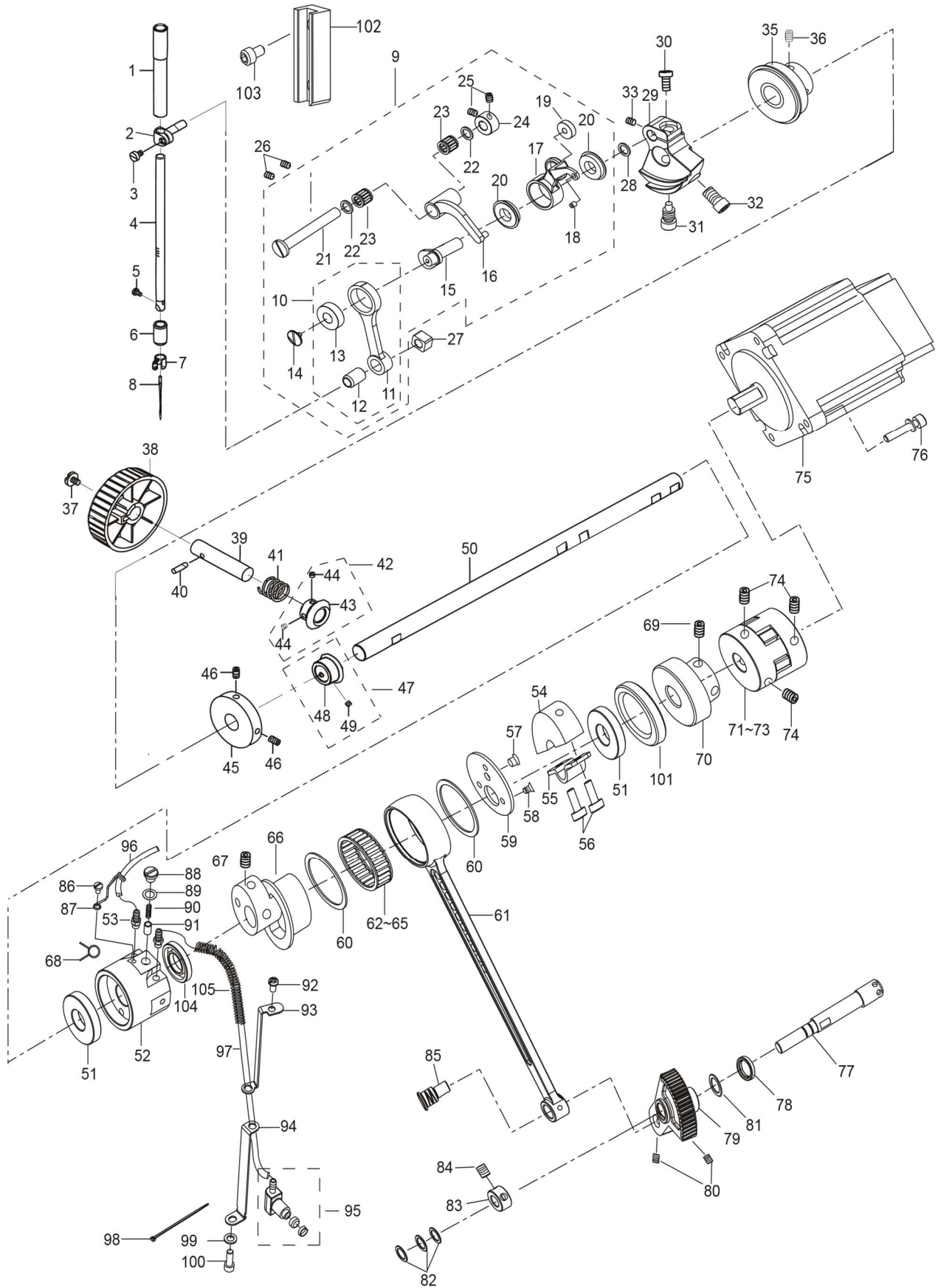
1. FRAME AND MISCELLANEOUS COMPONENTS

| No. | Part no. | Description | Qty |
|-----|----------|---|-----|
| 51 | 10014279 | RUBBER PLUG ϕ 15.3 | 2 |
| 52 | 10013603 | SCREW SM11/64"×40 L=8 | 1 |
| 53 | 10062652 | BALANCE COVER | 1 |
| 54 | 10011190 | RUBBER PLUG ϕ 14.5 | 1 |
| 55 | 10011200 | THREAD GUIDE PLATE | 1 |
| 56 | 10011158 | SCREW | 1 |
| 57 | 10053628 | SCREW M3×4.35 | 4 |
| 58 | 10051608 | THE LOCKING PLATE | 2 |
| 59 | 10009988 | SCREW SM5/16"×24 L=10 | 1 |
| 60 | 10009471 | RUBBER WASHER ϕ 7.8× ϕ 13.5×1.3 | 1 |
| 61 | 10062648 | NUT (GB/T 6170-2000) | 1 |
| 62 | 10037218 | THREAD GUIDE | 1 |
| 63 | 10051609 | UPPER SEAL GASKET | 1 |
| 64 | 10013567 | UPPER SEAL PLATE | 1 |
| 65 | 10008939 | SCREW | 7 |
| 66 | 10012438 | RUBBER RING | 1 |
| 67 | 20023812 | OIL TANK | 1 |
| 68 | 10011101 | TOP COVER | 1 |
| 69 | 10011143 | SCREW | 3 |
| 70 | 10011149 | SCREW | 1 |
| 71 | 10062669 | THREAD CUTTER | 1 |
| 72 | 10011161 | THE RIGHT PANEL | 1 |
| 73 | 10012599 | SCREW | 6 |
| 74 | 20024033 | SCREW M5×7.8 | 2 |
| 75 | 10004507 | BOBBIN THREAD TENSION ASM | 1 |
| 76 | 10004504 | NUT | 2 |
| 77 | 10004393 | BOBBIN THREAD TENSION ROD ASM | 1 |
| 78 | 10004391 | THEAD TENSION DISK | 2 |
| 79 | 10062660 | CONNECTING ROD SPRING | 1 |
| 80 | 10002558 | NUT | 1 |
| 81 | 10002896 | BOBBIN WINDER ASM | 1 |
| 82 | 10007895 | SCREW | 2 |
| 83 | 10027388 | E-RING | 1 |
| 84 | 10031163 | BOBBIN WINDER SHAFT COMPL BOBBIN | 1 |
| 85 | 10031058 | SHAFT | 1 |
| 86 | 10027399 | SPRING | 1 |
| 87 | 10027391 | RUBBER RING | 1 |
| 88 | 10027394 | ADJUSTING PLATE | 1 |
| 89 | 10027390 | SPRING | 1 |
| 90 | 10003122 | CUSHING | 1 |
| 91 | 10009455 | WASHER | 1 |
| 92 | 10030709 | SCREW | 1 |
| 93 | 10031087 | BOBBIN LEVER | 1 |
| 94 | 10006152 | BOBBIN FITING BASIS COMPL BOBBIN | 1 |
| 95 | 10027395 | CAM SHAFT | 1 |
| 96 | 10012014 | BOBBIN WINDER REGULATOR | 1 |
| 97 | 10004501 | SCREW | 1 |
| 98 | 10062675 | SPRING | 1 |
| 99 | 10013038 | E-RING | 1 |
| 100 | 10003517 | BEARING | 1 |

1. FRAME AND MISCELLANEOUS COMPONENTS

| No. | Part no. | Description | Qty |
|------------|-----------------|---------------------|------------|
| 101 | 10027392 | BOBBIN WINDER WHEEL | 1 |
| 102 | 10011097 | RUBBER RING | 1 |
| 103 | 10011143 | SCREWM9/64"×40 | 1 |
| 104 | 10063819 | LOGO | 1 |
| 105 | 10064763 | CIRCUIT BOARD ASM | 1 |
| 106 | 10063815 | SCREW | 1 |

2. MAIN SHAFT AND NEEDLE BAR COMPONENTS



2. MAIN SHAFT AND NEEDLE BAR COMPONENTS

| No. | Part no. | Description | Qty |
|-----|----------|------------------------------|-----|
| 1 | 10028715 | NEEDLE ROD SLEEVE | 1 |
| 2 | 10010590 | NEEDLE BAR CONNECTING COLUMN | 2 |
| 3 | 10010643 | SCREW | 1 |
| 4 | 10014277 | NEEDLE BAR | 1 |
| 5 | 10011699 | SCREW | 1 |
| 6 | 10028716 | NEEDLE ROD LOWER METAL | 1 |
| 7 | 10011701 | THREAD GUIDE | 1 |
| 8 | * | NEEDLE | 1 |
| 9 | 10051398 | THREAD TAKE UP COMPL | 1 |
| 10 | 10007983 | NEEDLE BAR CRANK BOD ASM | 1 |
| 11 | 10007986 | NEEDLE BAR CRANK ROD | 1 |
| 12 | 10005793 | NEEDLE BAR CRANK BOD METAL | 1 |
| 13 | 10009777 | BEARING | 1 |
| 14 | 10010537 | SCREW | 1 |
| 15 | 10008014 | NEEDLE BAR CRANK | 1 |
| 16 | 10007987 | THREAD TAKE UP CRANK | 2 |
| 17 | 10007985 | THREAD TAKE UP LEVER | 1 |
| 18 | 10004161 | THREAD PASS BUSH | 1 |
| 19 | 10003591 | BEARING | 1 |
| 20 | 10051399 | BEARING | 2 |
| 21 | 10007984 | BALANCE CRANK PIN | 1 |
| 22 | 10005786 | THRUST COLLAR | 2 |
| 23 | 10005747 | BEARING | 2 |
| 24 | 10005745 | THRUST COLLAR | 1 |
| 25 | 10004482 | SCREW | 2 |
| 26 | 10000314 | SCREW | 2 |
| 27 | 10011194 | SQUARE BLOCK | 1 |
| 28 | 10011622 | THRUST COLLAR | 1 |
| 29 | 10052054 | COUNTER EIGHT | 1 |
| 30 | 10014272 | SCREW | 1 |
| 31 | 10014282 | SCREW | 1 |
| 32 | 10014284 | SCREW | 1 |
| 33 | 10022863 | SCREW M6×0.75 L=6 | 1 |
| 35 | 10051684 | BEARING ASM 6004 | 1 |
| 36 | 10000314 | SCREW M6×8 | 2 |
| 37 | 10011225 | SCREW | 1 |
| 38 | 10011603 | PULLEY | 1 |
| 39 | 10011231 | HAND PULLEY SHAFT | 1 |
| 40 | 10006073 | PIN | 1 |
| 41 | 10011242 | SPRING | 1 |
| 42 | 10021312 | GEAR ASM. | 1 |
| 43 | 10011235 | GEAR | 1 |
| 44 | 10011226 | SCREW | 2 |
| 45 | 10002392 | BTW DRIVING WHEEL | 1 |
| 46 | 10011223 | SCREW | 2 |
| 47 | 10027407 | GEAR ASM. | 1 |
| 48 | 10002413 | GEAR | 1 |
| 49 | 10011226 | SCREW | 2 |
| 50 | 10062903 | MAIN SHAFT | 1 |

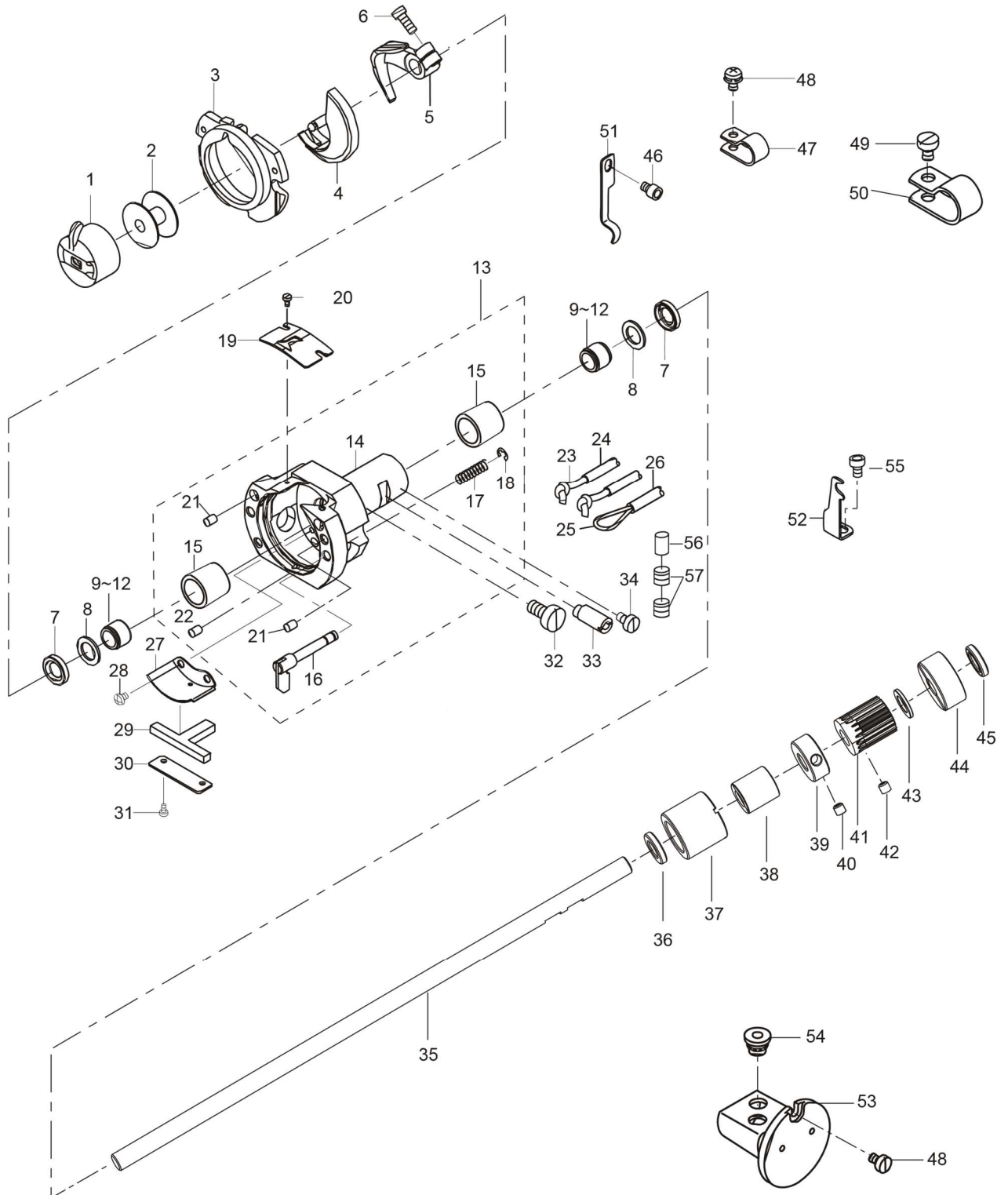
2. MAIN SHAFT AND NEEDLE BAR COMPONENTS

| No. | Part no. | Description | Qty |
|-----|----------|---------------------------|-------|
| 51 | 10010507 | OIL SEAL | 2 |
| 52 | 10037249 | OIL PUMP ASM | 2 |
| 53 | 10008779 | JOINT | 1 |
| 54 | 10014337 | CRANK BALANCER | 1 |
| 55 | 10014332 | CRANK BALANCER FIX PLATE | 1 |
| 56 | 10011644 | SCREW | 2 |
| 57 | 10014266 | RUBBER PLUG | 1 |
| 58 | 10009626 | SCREW | 3 |
| 59 | 10014268 | CRANK ROD SUPPORT PLATE | 1 |
| 60 | 10014269 | RETAINING COLLAR | 2 |
| 61 | 10037219 | CRANK ROD | 1 |
| 62 | 10023508 | BEARING | 1 |
| 63 | 10023509 | BEARING | 1 |
| 64 | 10023510 | BEARING | 1 |
| 65 | 10023511 | BEARING | 1 |
| 66 | 10014265 | ECCENTRIC WHEEL | 1 |
| 67 | 10009187 | SCREW | 2 |
| 68 | 10012160 | SPRING | 2 |
| 69 | 10000314 | SCREW M6×8 | 2 |
| 70 | 10051865 | BEARING ASM 6204ZZ | 1 |
| 71 | 10012615 | COUPLING | 1 |
| 72 | 10011227 | RELAX | 1 |
| 73 | 10012613 | COUPLING | 1 |
| 74 | 10009187 | SCREW | 4 |
| 75 | 10053840 | AC SERVO MOTOR-04 | 1 |
| 76 | 10000157 | SCREW | 4 |
| 77 | 10037229 | PIN | 1 |
| 78 | 10064708 | OIL SEAL | 1 |
| 79 | 10037230 | BEARING | 2 |
| 80 | 10011232 | SCREW | 2 |
| 81 | 10037231 | WASHER | 1 |
| 82 | 10010146 | RUBBER RING | 3 |
| 83 | 10004600 | RETAINING COLLAR | 1 |
| 84 | 10013590 | SCREW | 2 |
| 85 | 10037228 | PIN | 1 |
| 86 | 10002129 | SCREW | 1 |
| 87 | 10037260 | FILLER PIPE HOLDER | 1 |
| 88 | 10013232 | SCREW | 1 |
| 89 | 10037261 | PAPER SPACER | 1 |
| 90 | 10013238 | SPRING | 1 |
| 91 | 10012609 | PLUNGER | 1 |
| 92 | 10011570 | SCREW | 1 |
| 93 | 10037221 | UPPER FILLER PIPE BRACKET | 1 |
| 94 | 10037222 | LOWER FILLER PIPE BRACKET | 1 |
| 95 | 10000471 | FILLER PIPE JOINT ASM. | 1 |
| 96 | 10007800 | φ3×φ5 FILLER PIPE | 50mm |
| 97 | 10007800 | φ3×φ5 FILLER PIPE | 310mm |
| 98 | 40000363 | BINDING TAPE | 3 |
| 99 | 10006115 | WASHER | 1 |
| 100 | 10013616 | SCREW | 1 |

2. MAIN SHAFT AND NEEDLE BAR COMPONENTS

| No. | Part no. | Description | Qty |
|------------|-----------------|---------------------------|------------|
| 101 | 10039126 | OIL SEAL METAL | 1 |
| 102 | 10037240 | SQUARE BLOCK TROUGH SCREW | 1 |
| 103 | 10014477 | SCREW | 2 |
| 104 | 10013448 | OIL SEAL | 1 |
| 105 | 10051546 | SPRING | 1 |

3. SHUTTLE DRIVER SHAFT COMPONENTS



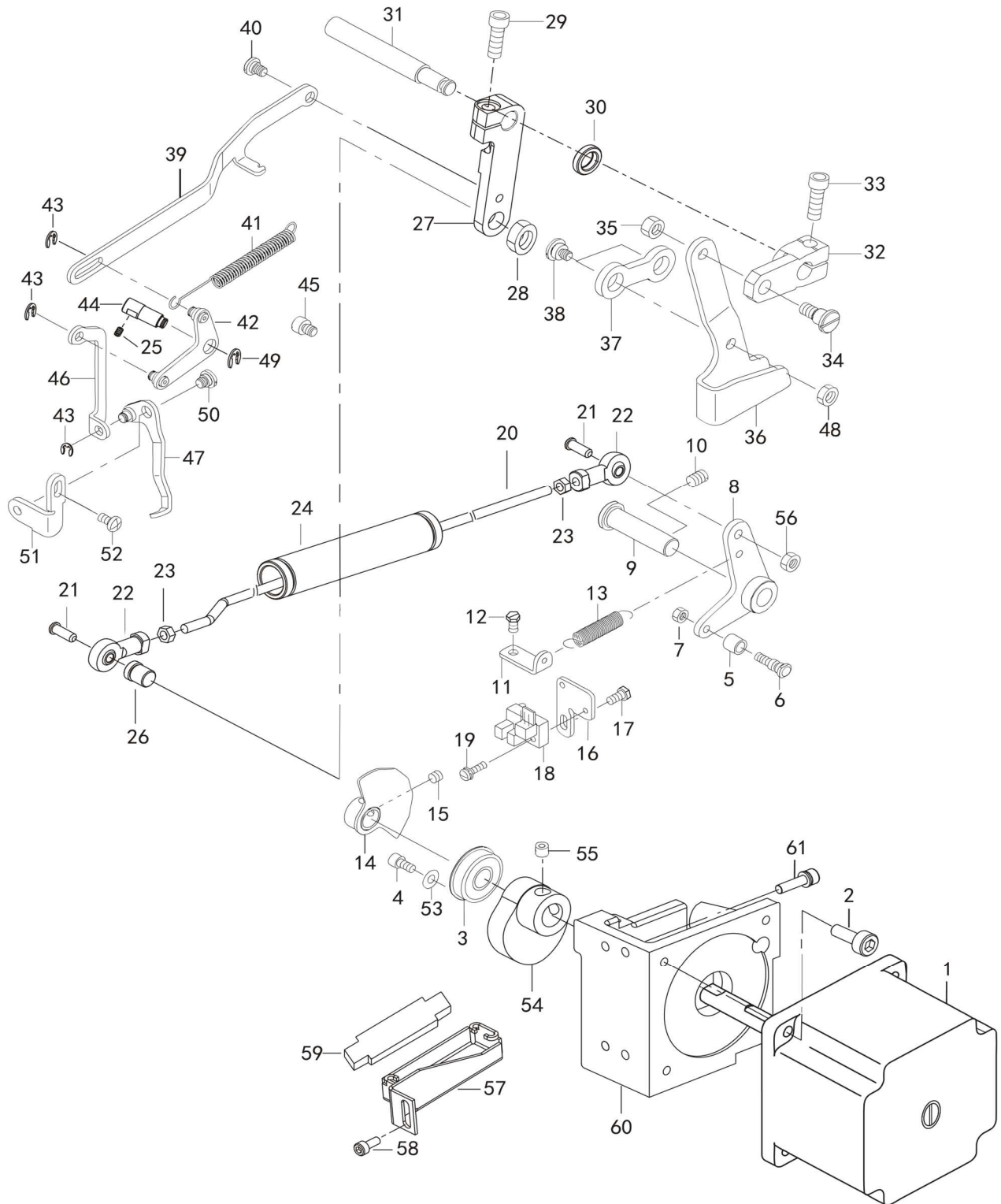
3. SHUTTLE DRIVER SHAFT COMPONENTS

| No. | Part no. | Description | Qty |
|-----|----------|--------------------------------|-----|
| 1 | 10003781 | BOBBIN CASE ASM | 1 |
| 2 | 10004592 | BOBBIN | 1 |
| 3 | 10010738 | SHUTTLE RACE RING ASM | 1 |
| 4 | 10025068 | INNER HOOK | 1 |
| 5 | 10004609 | SHUTTLE DRIVER | 1 |
| 6 | 10004611 | SCREW | 1 |
| 7 | 10014297 | SHUTTLE OIL SEAL | 2 |
| 8 | 10014295 | SHUTTLE BEARING RING | 2 |
| 9 | 10023516 | BEARING | 2 |
| 10 | 10023517 | BEARING | 2 |
| 11 | 10023518 | BEARING | 2 |
| 12 | 10023519 | BEARING | 2 |
| 13 | 10022792 | SHUTTLE ASM. | 1 |
| 14 | 10014248 | SHUTTLE | 1 |
| 15 | 10008576 | SHUTTLE BUSH | 1 |
| 16 | 10004261 | INNER HOOK PRESSER ASM. | 2 |
| 17 | 10004495 | SPRING | 2 |
| 18 | 10009669 | E-RING | 2 |
| 19 | 10004596 | SHUTTLE UPPER SPRING | 1 |
| 20 | 10010744 | SCREW | 2 |
| 21 | 10011077 | SHUTTLE OIL FELT | 1 |
| 22 | 10011427 | SHUTTLE OIL FELT | 1 |
| 23 | 10008103 | OIL WICK | 2 |
| 24 | 10007795 | FILLER PIPE | 2 |
| 25 | 10008103 | OIL WICK | 1 |
| 26 | 10007795 | FILLER PIPE | 1 |
| 27 | 10007926 | SHUTTLE LUBRICATING PLATE | 1 |
| 28 | 10010797 | SCREW | 2 |
| 29 | 10010800 | SHUTTLE ONCE THROUGH OIL FELT | 1 |
| 30 | 10010799 | ONCE THROUGH OIL LFELT PRESSER | 1 |
| 31 | 10010744 | SCREW | 2 |
| 32 | 10010817 | SCREW | 1 |
| 33 | 10011426 | SCREW | 1 |
| 34 | 10011425 | SCREW | 1 |
| 35 | 10037224 | LOWER SHAFT | 1 |
| 36 | 10014297 | OIL SEAL | 1 |
| 37 | 10037225 | SLEEVE A | 1 |
| 38 | 10037273 | NUT | 1 |
| 39 | 10037298 | WASHER | 1 |
| 40 | 10013590 | SCREW | 2 |
| 41 | 10037223 | GEAR | 1 |
| 42 | 10011232 | SCREW | 2 |
| 43 | 10037227 | WASHER | 1 |
| 44 | 10037226 | SLEEVE B | 1 |
| 45 | 10014297 | OIL SEAL | 1 |
| 46 | 10005107 | SCREW | 1 |
| 47 | 10008228 | CABLE CLIP | 1 |
| 48 | 10012892 | SCREW | 2 |
| 49 | 10011101 | SCREW | 1 |
| 50 | 10008229 | CABLE CLIP | 1 |

3. SHUTTLE DRIVER SHAFT COMPONENTS

| No. | Part no. | Description | Qty |
|------------|-----------------|--------------------|------------|
| 51 | 10014294 | OIL PIPE HOLDER | 1 |
| 52 | 10014288 | TUBE CLAMP | 1 |
| 53 | 10021601 | OIL TANK ASM | 1 |
| 54 | 10014296 | RUBBER BUSH | 2 |
| 55 | 10010685 | SCREW | 1 |
| 56 | 10011916 | NYLON BUSH | 1 |
| 57 | 10011232 | SCREW | 2 |

4. LIFT PRESSERS AND WIPER MECHANISM COMPONENTS



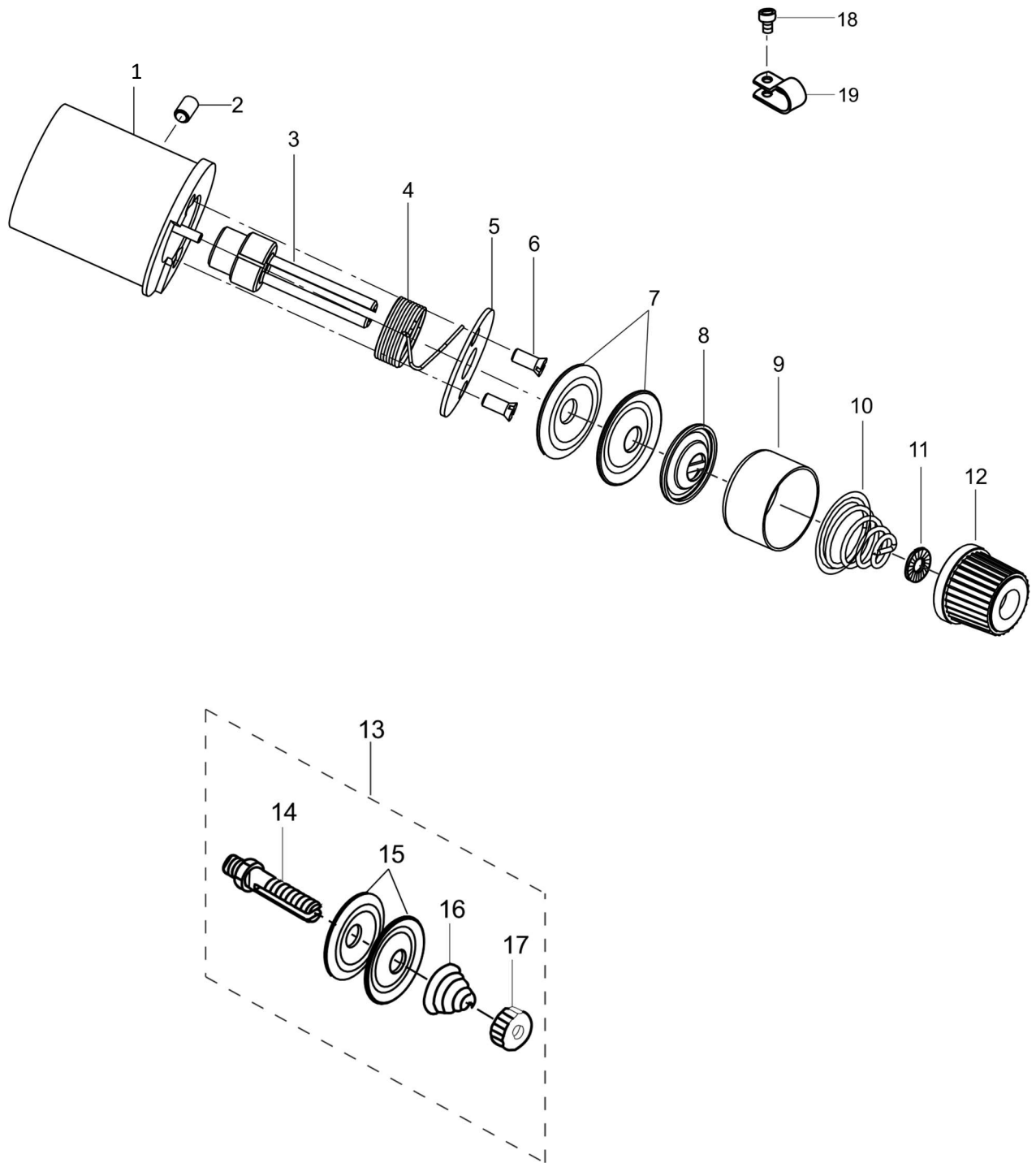
4. LIFT PRESSERS AND WIPER MECHANISM COMPONENTS

| No. | Part no. | Description | Qty |
|------------|-----------------|---------------------------|------------|
| 1 | 10062819 | PRESSER LIFTING MOTOR-04 | 1 |
| 2 | 10000157 | SCREW | 4 |
| 3 | 10003601 | BEARING | 1 |
| 4 | 10010668 | SCREW | 1 |
| 5 | 10028245 | NEEDLE CAM ROLLER A | 1 |
| 6 | 10014342 | UTT CAM ROLLER SHAFT | 1 |
| 7 | 10014354 | NUT | 1 |
| 8 | 10037252 | LIFTER LINK A ASM THREAD | 1 |
| 9 | 10052771 | TRIMMER SHAFT | 1 |
| 10 | 10011232 | SCREW | 1 |
| 11 | 10014343 | SIDE COVER THREAD GUIDE | 1 |
| 12 | 10011005 | SCREW M4 L=9 | 1 |
| 13 | 10014356 | SPRING | 1 |
| 14 | 10014293 | SENSOR SLIT | 1 |
| 15 | 10011518 | SCREW | 2 |
| 16 | 10014291 | SENSOR_INSTALLING_BASE | 1 |
| 17 | 10009486 | SCREW SM11/64"×40 L=8.5 | 1 |
| 18 | 10026622 | PHOTO SENSOR-04 | 1 |
| 19 | 10010667 | SCREW | 1 |
| 20 | 10037234 | LIFTER LINK B | 1 |
| 21 | 10037250 | SCREW | 2 |
| 22 | 10011586 | UNIVERSAL CONTACT JOINT | 2 |
| 23 | 10003075 | NUT | 2 |
| 24 | 10037235 | PULL-ROD BUSH | 1 |
| 25 | 10005295 | SPRING | 1 |
| 26 | 10037238 | SCREW | 1 |
| 27 | 10037236 | CONNECTING ARM | 1 |
| 28 | 10037825 | NUT | 1 |
| 29 | 10010735 | SCREW | 1 |
| 30 | 10037237 | WASHER | 1 |
| 31 | 10011914 | CONNECTING SHAFT LOWERING | 1 |
| 32 | 10014340 | ARM | 1 |
| 33 | 10010735 | SCREW | 1 |
| 34 | 10010674 | SCREW | 1 |
| 35 | 10010725 | NUT | 1 |
| 36 | 10014355 | LOWERING FOOT CONNECTING | 1 |
| 37 | 10010684 | LINK | 1 |
| 38 | 10010727 | SCREW | 2 |
| 39 | 10014346 | WIPER CONNECTING LINK | 1 |
| 40 | 10004594 | SCREW | 1 |
| 41 | 10004604 | SPRING | 1 |
| 42 | 10037255 | WIPER_CONNECTING_ARM_ASM | 1 |
| 43 | 10009653 | RETAINING RING | 3 |
| 44 | 10037257 | SHAFT | 1 |
| 45 | 10014345 | SCREW | 1 |
| 46 | 10014353 | WIPER_CONNECTING_PLATE | 1 |
| 47 | 10014348 | WIPER C ASM | 1 |
| 48 | 10010725 | NUT | 1 |
| 49 | 10007859 | RETAINING RING | 1 |
| 50 | 10004593 | SCREW | 1 |

4. LIFT PRESSERS AND WIPER MECHANISM COMPONENTS

| No. | Part no. | Description | Qty |
|------------|-----------------|-----------------------|------------|
| 51 | 10014341 | WIPER BASE PLATE | 1 |
| 52 | 10010668 | SCREW | 1 |
| 53 | 10010741 | WASHER | 1 |
| 54 | 10014287 | LIFT TO PRESS THE CAM | 1 |
| 55 | 10011232 | SCREW | 2 |
| 56 | 10010133 | NUT | 1 |
| 57 | 10053640 | GREASE SLOT | 1 |
| 58 | 10010685 | SCREW | 2 |
| 59 | 10028676 | OIL FLET | 1 |
| 60 | 10062814 | MOTOR HOLDER | 1 |
| 61 | 10000157 | SCREW M5 L=18.5 | 4 |

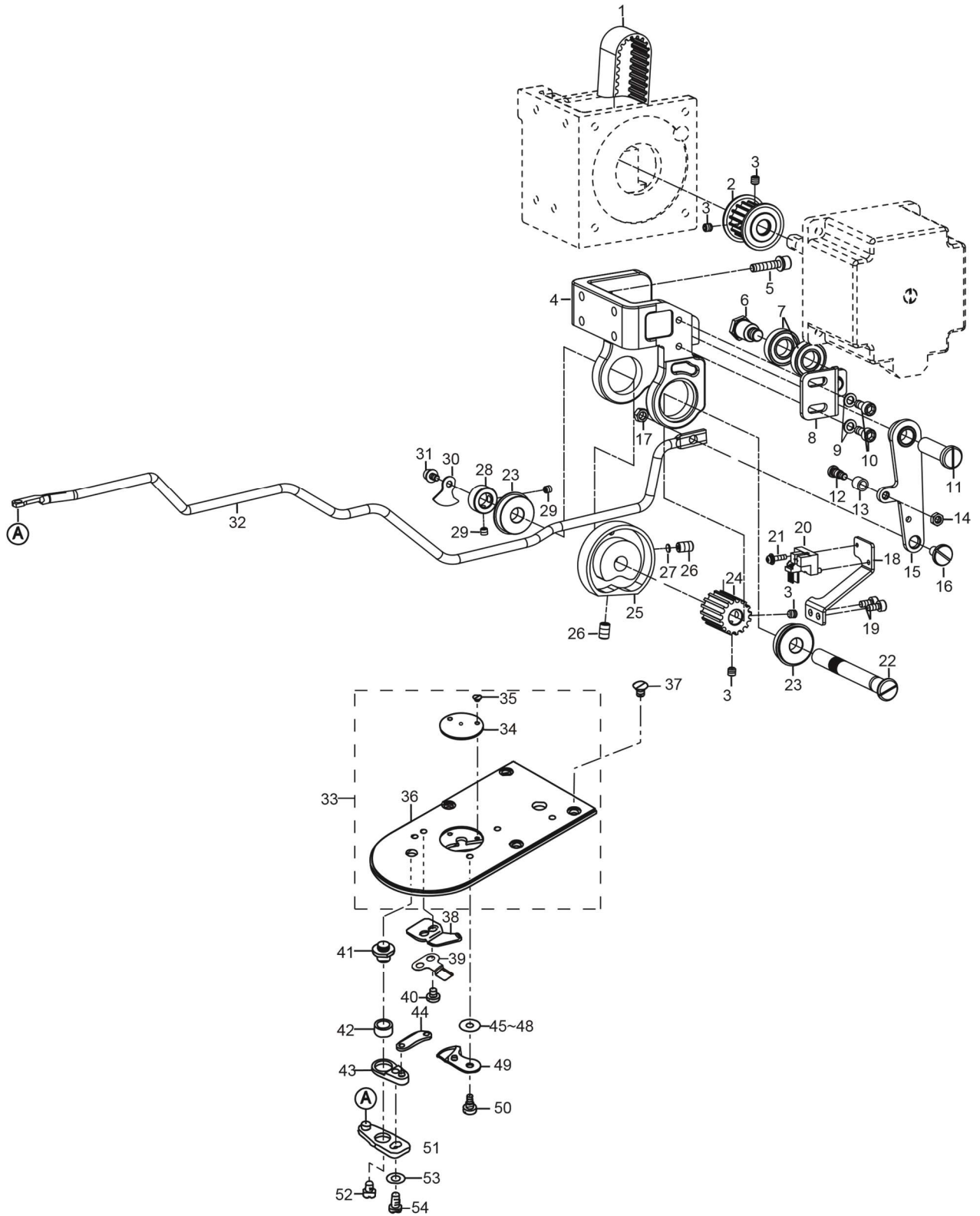
5. TENSION RELEASE AND THREAD TENSION COMPONENTS



5. TENSION RELEASE AND THREAD TENSION COMPONENTS

| No. | Part no. | Description | Qty |
|------------|-----------------|------------------------------|------------|
| 1 | 10056036 | THREAD TENSION ELECTROMAGNET | 1 |
| 2 | 10026903 | SCREW | 1 |
| 3 | 10042941 | SCREW | 1 |
| 4 | 10039203 | SPRING | 1 |
| 5 | 10037243 | LOCK PLATE | 1 |
| 6 | 10052062 | SCREW | 2 |
| 7 | 10005489 | THREAD TENSION DISK | 2 |
| 8 | 10004625 | THREAD TENSION DISK PRESSER | 1 |
| 9 | 10004598 | TENSION NUT | 1 |
| 10 | 10004626 | SPRING | 1 |
| 11 | 10004633 | ROTATING STOPPER | 1 |
| 12 | 10062661 | THREAD TENSION NUT | 1 |
| 13 | 10011493 | FIRST THREAD TENSION ASM | 1 |
| 14 | 10004666 | SCREW | 1 |
| 15 | 10004393 | THREAD TENSION DISK | 2 |
| 16 | 10004669 | SPRING | 1 |
| 17 | 10004664 | TENSION NUT | 1 |
| 18 | 10010685 | SCREW | 2 |
| 19 | 10008228 | CABLE CLIP | 3 |

6. TENSION RELEASE AND THREAD TRIMMER MECHANISM COMPONENTS



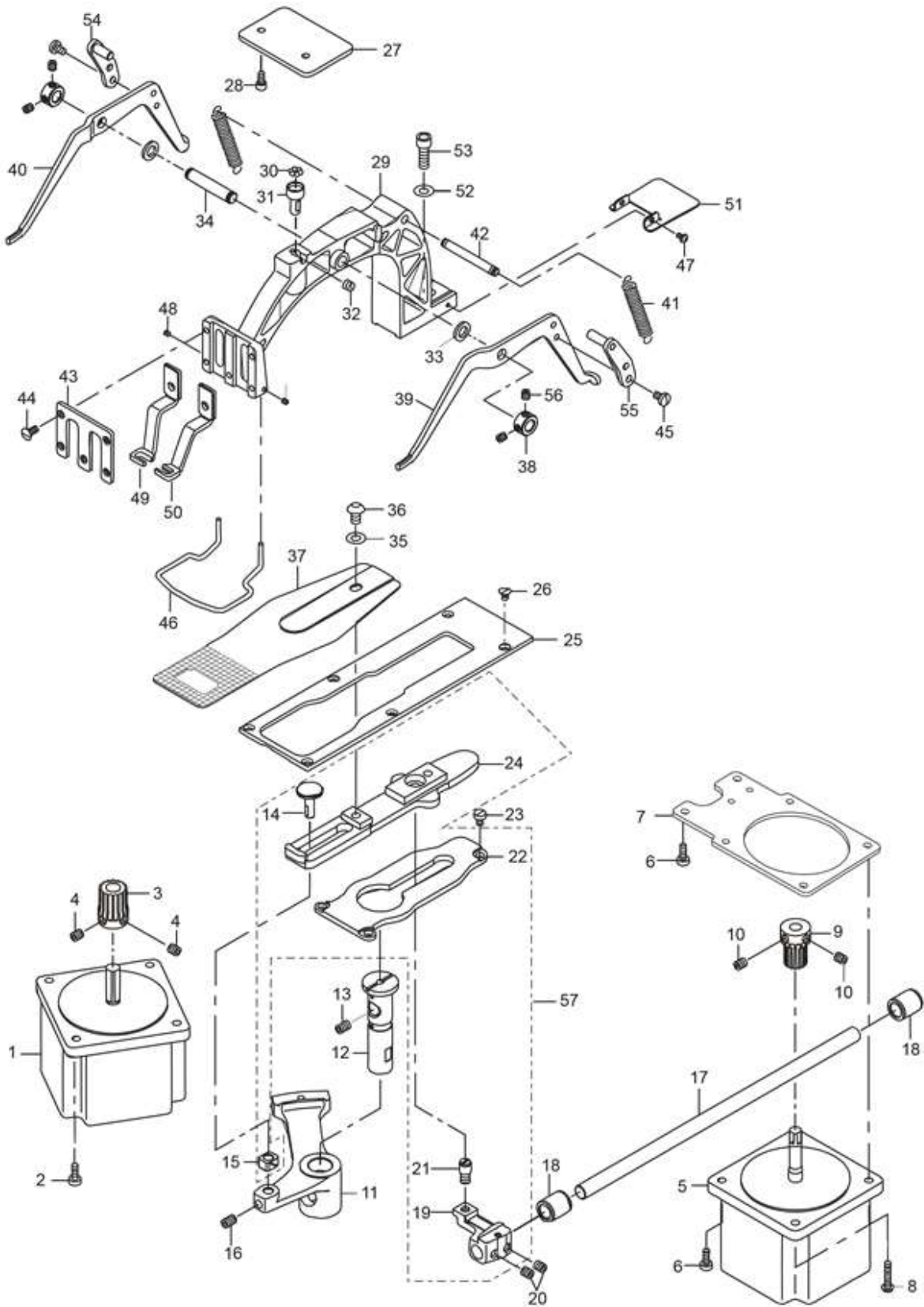
6. TENSION RELEASE AND THREAD TRIMMER MECHANISM COMPONENTS

| No. | Part no. | Description | Qty |
|-----|----------|---------------------------|-----|
| 1 | 10062809 | TRIMMING TIMING BELT | 1 |
| 2 | 10062811 | ACTIVE SYNCHRONOUS PULLEY | 1 |
| 3 | 10012162 | SCREW M5×5 | 4 |
| 4 | 10062813 | SYNCHRONOUS PULLEY BASE | 1 |
| 5 | 10000157 | SCREW M5×21 | 4 |
| 6 | 10037642 | SHOULDER SCREW | 1 |
| 7 | 10012777 | BEARING | 2 |
| 8 | 10062816 | TENSION PLATE | 1 |
| 9 | 10006115 | WASHER | 2 |
| 10 | 10014210 | SCREW M5×1 | 2 |
| 11 | 10027364 | PIN | 1 |
| 12 | 10014342 | PIN | 1 |
| 13 | 10034929 | NEEDLE CAM ROLLERA | 1 |
| 14 | 10014354 | NUT 64"×40 | 1 |
| 15 | 10014339 | CRANK | 1 |
| 16 | 10027367 | SCREW 64"×28 | 1 |
| 17 | 10010133 | NUT | 1 |
| 18 | 10062817 | THE SENSOR MOUNTING PLATE | 1 |
| 19 | 10000348 | SCREW M4×8 | 2 |
| 20 | 10053621 | PHOTO SENSOR | 1 |
| 21 | 10010667 | SCREW COMPONENTS | 1 |
| 22 | 10062812 | AXIS | 1 |
| 23 | 10050516 | BEARING_6000NR-2RS_BOM | 2 |
| 24 | 10062810 | BELT PULLEY | 1 |
| 25 | 10065660 | TRIMMING CAM | 1 |
| 26 | 10013465 | SCREW SM1/4"×40 L=10 | 2 |
| 27 | 10023739 | GASKET | 1 |
| 28 | 10010803 | RETAINING COLLAR | 1 |
| 29 | 10013590 | SCREW 64"×40 | 2 |
| 30 | 10062815 | SENSOR SHEET | 1 |
| 31 | 10001239 | SCREW ASM | 1 |
| 32 | 10062818 | CONNECTION BAR | 1 |
| 33 | 10014298 | NEEDLE PATE ASM | 1 |
| 34 | 10047532 | NEEDLE HOLE GUIDE | 1 |
| 35 | 10011509 | SCREW | 2 |
| 36 | 10008027 | NEEDLE PLATE | 1 |
| 37 | 10011511 | SCREW | 4 |
| 38 | 10011501 | FIXING KNIFE | 1 |
| 39 | 10037254 | LOWER THREAD CLAMP SRING | 1 |
| 40 | 10011499 | SCREW | 2 |
| 41 | 10011455 | SCREW | 1 |
| 42 | 10011502 | THREAD CUTTING LEVER RING | 1 |
| 43 | 10010733 | THREAD CUTTER LEVER ASM | 1 |
| 44 | 10011453 | MOVING KNIFE LINK | 1 |
| 45 | 10007183 | WASHER (0.5) | 1 |
| 46 | 10007361 | WASHER (0.6) | (1) |
| 47 | 10007362 | WASHER (0.7) | (1) |
| 48 | 10007363 | WASHER (0.8) | (1) |
| 49 | 10011513 | MOVING KNIFE ASM | 1 |
| 50 | 10011500 | SCREW | 1 |

6. TENSION RELEASE AND THREAD TRIMMER MECHANISM COMPONENTS

| No. | Part no. | Description | Qty |
|------------|-----------------|-------------------------|------------|
| 51 | 10010737 | THREAD CUTTER LEVER ASM | 1 |
| 52 | 10011503 | SCREW | 1 |
| 53 | 10011506 | WASHER | 1 |
| 54 | 10009906 | SCREW | 1 |

7. FEED MECHANISM COMPONENTS



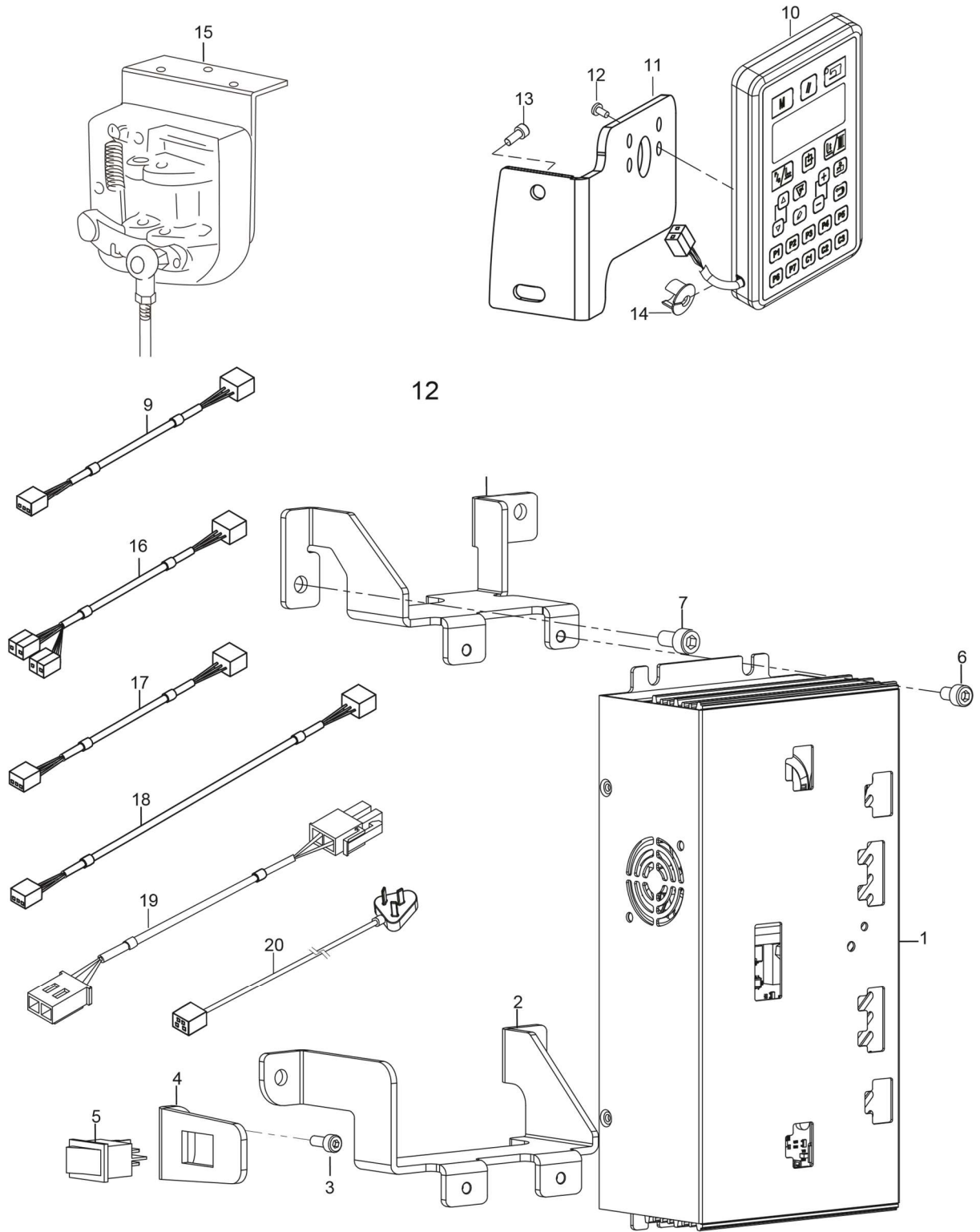
7. FEED MECHANISM COMPONENTS

| No. | Part no. | Description | Qty |
|------------|-----------------|--------------------------------|------------|
| 1 | 10053841 | X FEED STEPPING MOTOR | 1 |
| 2 | 10011644 | SCREW | 4 |
| 3 | 10011638 | GEAR | 1 |
| 4 | 10011232 | SCREW | 2 |
| 5 | 10053842 | Y FEED STEPPING MOTOR | 1 |
| 6 | 10011644 | SCREW | 2 |
| 7 | 10052686 | Y-AXIS MOTOR MOUNTING PLATE | 1 |
| 8 | 10000157 | SCREW | 4 |
| 9 | 10011640 | GEAR | 1 |
| 10 | 10011232 | SCREW | 2 |
| 11 | 10014318 | GEAR | 1 |
| 12 | 10011573 | X HINGE AXIS | 1 |
| 13 | 10010678 | SCREW | 1 |
| 14 | 10011562 | SLIDE BLOCK STUD | 1 |
| 15 | 10011194 | SQUARE BLOCK | 1 |
| 16 | 10010678 | SCREW | 1 |
| 17 | 10014326 | BUSHING, REAR | 1 |
| 18 | 10011571 | BUSHING, REAR | 2 |
| 19 | 10011645 | LENGTHWISE FEED ARM | 1 |
| 20 | 10011642 | SCREW | 2 |
| 21 | 10011568 | SCREW | 1 |
| 22 | 10014325 | CLOTH FEED SUPPORT PLATE SCREW | 1 |
| 23 | 10011142 | CLOTH FEED PLATE | 3 |
| 24 | 10014321 | CLOTH FEED PRESSER PLATE SCREW | 1 |
| 25 | 10063066 | SUPPORT PLATE | 1 |
| 26 | 10011566 | SCREW | 6 |
| 27 | 10014300 | FEED BRACKET | 1 |
| 28 | 10011559 | SCREW | 2 |
| 29 | 10014357 | FEEDING FRAME | 1 |
| 30 | 10011574 | BALL | 7 |
| 31 | 10011561 | SUPPORT | 1 |
| 32 | 10011564 | SCREW | 1 |
| 33 | 10028963 | WASHER | 2 |
| 34 | 10011646 | LIFTING LEVER SHAFT | 1 |
| 35 | 10011569 | WASHER | 2 |
| 36 | 10014394 | SCREW | 1 |
| 37 | 10011565 | FEED PLATE | 1 |
| 38 | 10004600 | THRUST COLLAR | 2 |
| 39 | 10011454 | RIGHT LEVER | 1 |
| 40 | 10011567 | LIFT LEVER | 1 |
| 41 | 10011558 | SPRING | 2 |
| 42 | 10011456 | SPRING SUSPENSION | 1 |
| 43 | 10011557 | WORK CLAMP FOOT FACE PLATE | 1 |
| 44 | 10011510 | SCREW | 5 |
| 45 | 10009906 | SCREW | 4 |
| 46 | 10011556 | FINGER GUARDE | 1 |
| 47 | 10011357 | SCREW | 2 |
| 48 | 10003383 | SCREW | 2 |
| 49 | 10011508 | WORK CLAMP FOOT, LEFT WORK | 1 |
| 50 | 10011505 | CLAMP FOOT, RIGHT | 1 |

7. FEED MECHANISM COMPONENTS

| No. | Part no. | Description | Qty |
|------------|-----------------|--------------------------|------------|
| 51 | 10014359 | HIDDEN_PLATE | 1 |
| 52 | 10006013 | WASHER | 1 |
| 53 | 10010735 | SCREW | 1 |
| 54 | 10024705 | LEVER DRIVING PLATE ASM. | 1 |
| 55 | 10024706 | LEVER DRIVING PLATE ASM. | 1 |
| 56 | 10013590 | SCREW | 4 |
| 57 | 10025161 | CLOTH FEED PLATE ASM | 1 |

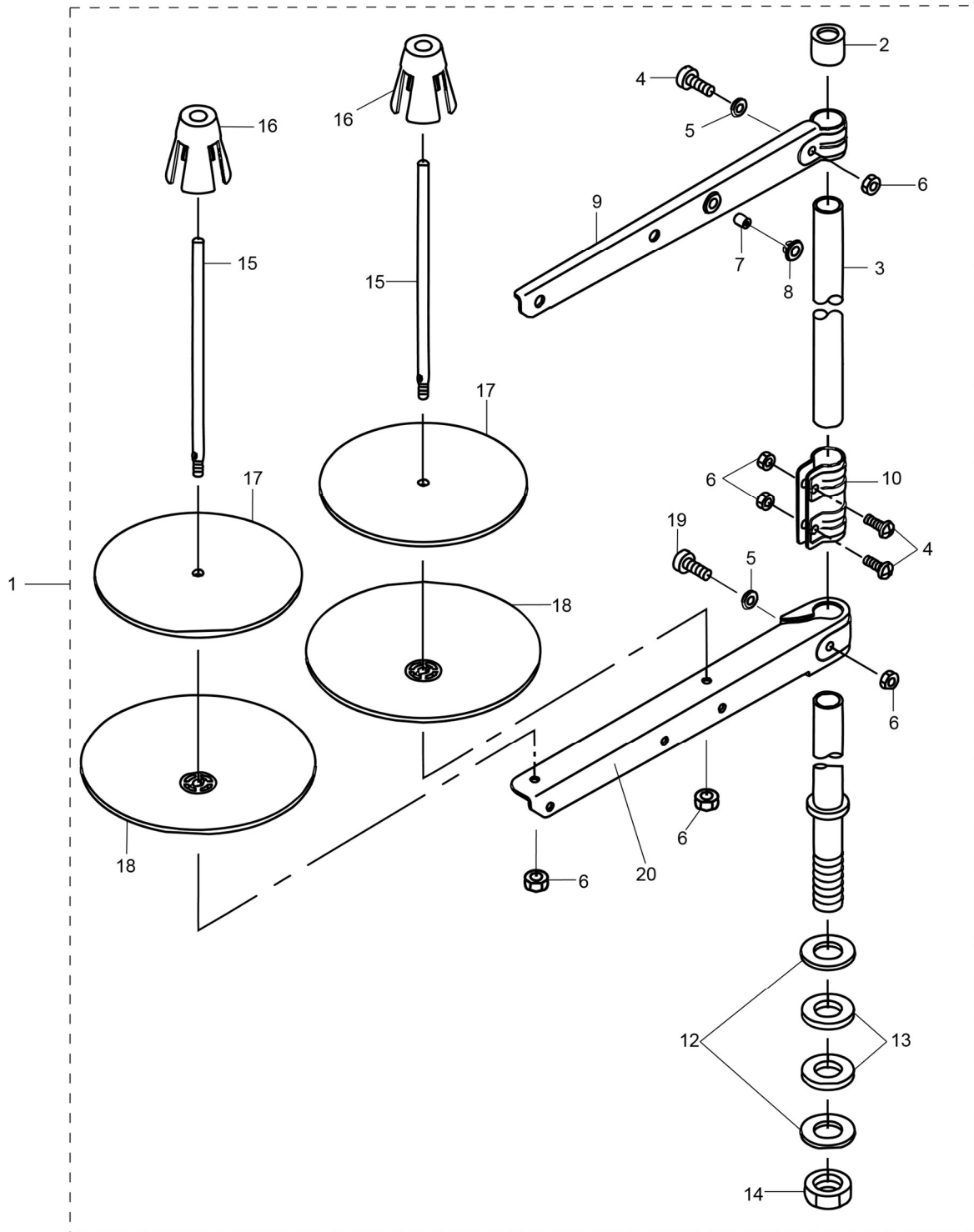
8. SENSOR COMPONENTS



8. SENSOR COMPONENTS

| No. | Part no. | Description | Qty |
|------------|-----------------|----------------------------------|------------|
| 1 | 10063211 | ELECTRONIC CONTROL SYSTEM ASM | 1 |
| 2 | 10057430 | CONTROL BOX INSTALLING BASE DOWN | 1 |
| 3 | 10005041 | SCREW M4×10 | 2 |
| 4 | 10057431 | POWER SWITCH INSTALLING BASE | 1 |
| 5 | 10053606 | POWER SWITCH | 1 |
| 6 | 10062950 | SCREW M5×8 | 4 |
| 7 | 10062657 | SCREW M6×12 | 4 |
| 8 | 10011824 | CONTROL BOX INSTALLING BASE UP | 1 |
| 9 | 10012028 | TT SENSOR CABLE ASM | 1 |
| 10 | 10057429 | OPERATION PANEL | 1 |
| 11 | 10057914 | OPERATION PANEL MOUNTING PANEL | 1 |
| 12 | 10012892 | SCREW M4×9.5 | 2 |
| 13 | 10007096 | SCREW M5×10 | 2 |
| 14 | 10054978 | RUBBER STOPPER | 1 |
| 15 | 10058021 | FOOT PEDAL ASM | 1 |
| 16 | 10062653 | CONNECTING CABLES ASM | 1 |
| 17 | 10063218 | SAFETY SENSOR OF TRIM THREAD | 1 |
| 18 | 10063820 | WIRE FOR OPERATION PANEL | 1 |
| 19 | 10064194 | WIRE FOR LOGO | 1 |
| 20 | 10058510 | WIRE FOR POWER SWITCH | 1 |

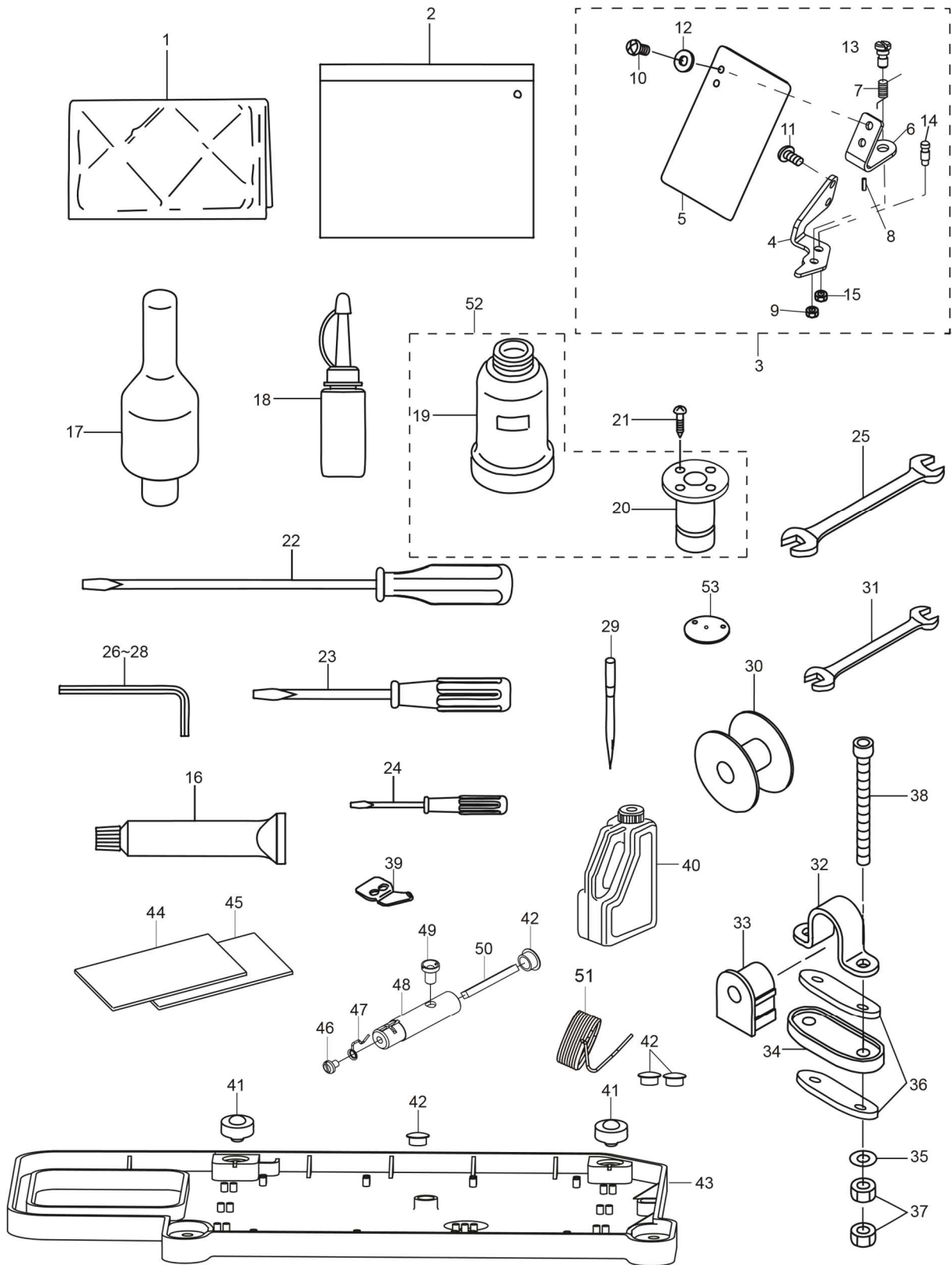
9. THREAD STAND COMPONENTS



9. THREAD STAND COMPONENTS

| No. | Part no. | Description | Qty |
|------------|-----------------|------------------------------|------------|
| 1 | 10007130 | THREAD STAND ASM | 1 |
| 2 | 10004282 | COLUMN CAP | 1 |
| 3 | 10004293 | COLUMN PIPE | 1 |
| 4 | 10003301 | SCREW | 2 |
| 5 | 10003022 | WASHER | 2 |
| 6 | 10002953 | NUT | 5 |
| 7 | 10004289 | THREAD GUIDE PIPE | 2 |
| 8 | 10004285 | THREAD GUIDE BUSHING | 2 |
| 9 | 10004298 | THREAD HANGER | 1 |
| 10 | 10004286 | COLUMN PIPE CONNECTOR | 1 |
| 11 | 10004291 | COLUMN PIPE | 1 |
| 12 | 10004295 | WASHER | 2 |
| 13 | 10004290 | WASHER | 2 |
| 14 | 10002985 | NUT | 1 |
| 15 | 10004288 | SPOOL PIN | 2 |
| 16 | 10004287 | SPOOL CUSHION | 2 |
| 17 | 10004281 | SOFT CUSHION OF THREAD PLARE | 2 |
| 18 | 10004299 | THREAD PLATE | 2 |
| 19 | 10003312 | SCREW | 1 |
| 20 | 10004292 | THREAD HANGER | 1 |

10. ACCESSORIES PART COMPONENTS



10. ACCESSORIES PART COMPONENTS

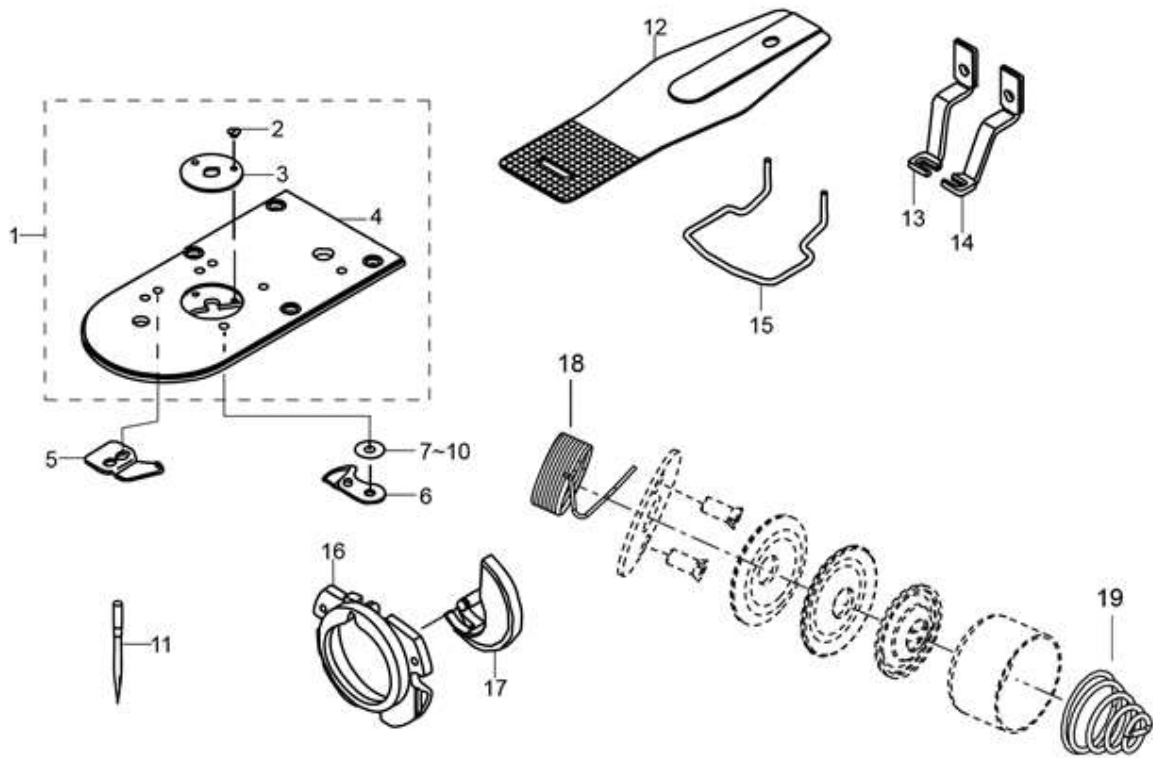
| No. | Part no. | Description | Qty |
|-----|----------|-------------------------------|-----|
| 1 | 10001177 | VINYL COVER | 1 |
| 2 | 10004971 | ACCESSORY BOX | 1 |
| 3 | 20004358 | SAFETY PLATE ASM. | 1 |
| 4 | 10011632 | SAFETY PLATE INSTALLING BASE | 1 |
| 5 | 10011636 | SAFETY PLATE | 1 |
| 6 | 10004725 | SAFETY PLATE INSTALLING PLATE | 1 |
| 7 | 10011678 | SPRING | 1 |
| 8 | 10002880 | PIN | 1 |
| 9 | 10004507 | NUT | 1 |
| 10 | 10011570 | SCREW | 2 |
| 11 | 10011570 | SCREW | 2 |
| 12 | 10011680 | WASHER | 2 |
| 13 | 10011677 | HINGE SCREW | 1 |
| 14 | 10011633 | PIN | 1 |
| 15 | 10011682 | NUT | 1 |
| 16 | 20009052 | GREASE | 1 |
| 17 | 10011749 | HEAD SUPPORT BAR | 1 |
| 18 | 10005356 | OILER | 1 |
| 19 | 10011681 | OIL CAN | 1 |
| 20 | 10011683 | OIL MANAGEMENT | 1 |
| 21 | 10003157 | SCREW | 8 |
| 22 | 10010994 | SCREW DRIVER LARGE | 1 |
| 23 | 10010995 | SCREW DRIVER MIDDLE | 1 |
| 24 | 10013185 | SCREW DRIVER SMALL | 1 |
| 25 | 10003368 | WRENCH | 1 |
| 26 | 10009685 | HEXAGONAL WRENCH SMALL | 1 |
| 27 | 10009687 | HEXAGONAL WRENCH LARGE | 1 |
| 28 | 10009689 | HEXAGONAL SPANNER | 1 |
| 29 | * | NEEDLE | 1 |
| 30 | 10004592 | BOBBIN | 1 |
| 31 | 10003369 | WRENCH | 1 |
| 32 | 10011160 | BED HINGE | 2 |
| 33 | 10011137 | HINGE RUBBER | 2 |
| 34 | 10014251 | BED HINGE RUBBER | 2 |
| 35 | 10003076 | WASHER | 4 |
| 36 | 10011747 | WASHER | 4 |
| 37 | 10003084 | NUT | 4 |
| 38 | 10011147 | SCREW | 4 |
| 39 | 10011501 | FIXING KNIFE | 1 |
| 40 | 10004455 | OIL BOX | 1 |
| 41 | 10013102 | SUPPORT RUBBER | 2 |
| 42 | 10011136 | RUBBER PLUG | 4 |
| 43 | 10062667 | OIL TRAY | 1 |
| 44 | 10054942 | INSTRUCTIONS | 1 |
| 45 | 10054943 | PARTS LIST | 1 |
| 46 | 10011142 | SCREW SM11/64"×40 L=6 | 1 |
| 47 | 10011918 | THREAD GUIDE SPRING | 1 |
| 48 | 10011920 | SILICONE OIL BOX | 1 |
| 49 | 10011917 | SCREW SM15/64"×28 | 1 |
| 50 | 10011919 | OIL FELT | 1 |

10. ACCESSORIES PART COMPONENTS

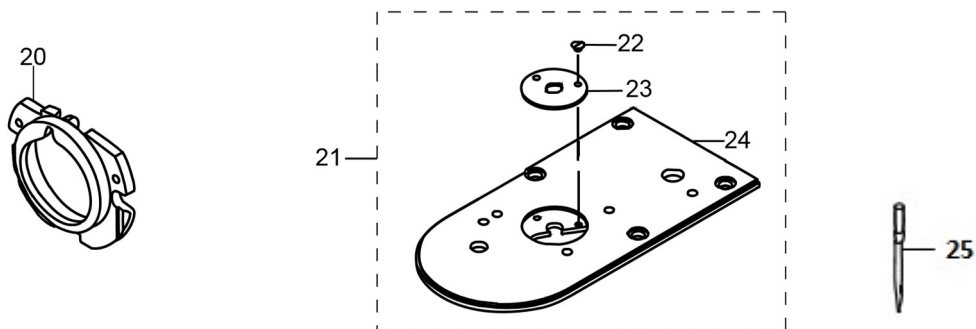
| No. | Part no. | Description | Qty |
|------------|-----------------|--------------------|------------|
| 51 | 10039203 | SPRING | |
| 52 | 10006185 | OILER ASM | |
| 53 | 10004646 | NEEDLE HOLE GUIDE | |

11. OPTIONAL PARTS

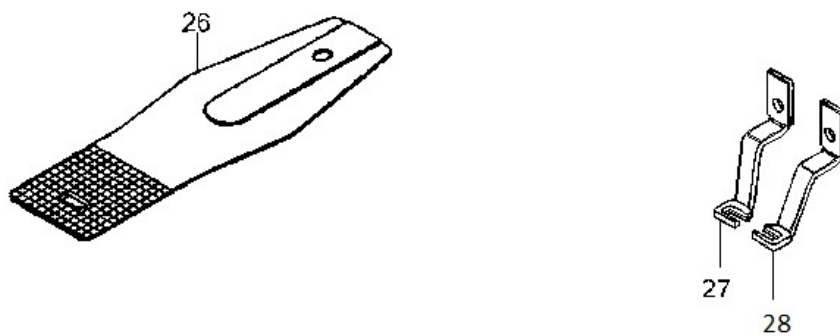
FOR HEAVY MATERIALS:



FOR UNDERWEAR AND KNITTING



FOR KNITTING



11. OPTIONAL PARTS

| No. | Part no. | Description | Qty |
|------------|-----------------|------------------------|------------|
| 1 | 10024626 | NEEDLE PLATE ASM. | 1 |
| 2 | 10011509 | SCREW | 2 |
| 3 | 10004727 | NEEDLE HOLE GUIDE | 1 |
| 4 | 10008027 | NEEDLE PLATE | 1 |
| 5 | 10011748 | FIXING KNIFE | 1 |
| 6 | 10011694 | MOVING KNIFE ASM. | 1 |
| 7 | 10007183 | WASHER | 1 |
| 8 | 10007361 | WASHER | 1 |
| 9 | 10007362 | WASHER | 1 |
| 10 | 10007363 | WASHER | 1 |
| 11 | 10004897 | NEEDLE DP×17 19# | 1 |
| 12 | 10011751 | FEED PLATE | 1 |
| 13 | 10011687 | WORK CLAMP FOOT, LEFT | 1 |
| 14 | 10011691 | WORK CLAMP FOOT, RIGHT | 1 |
| 15 | 10011695 | FINGER GUARDE | 1 |
| 16 | 10031317 | SHUTTLE BACE RING ASM. | 1 |
| 17 | 10003834 | INNER HOOK | 1 |
| 18 | 10037427 | SPRING | 1 |
| 19 | 10011827 | SPRING | 1 |
| 20 | 10011760 | SHUTTLE BACE RING ASM. | 1 |
| 21 | 10026087 | NEEDLE PLATE ASM. | 1 |
| 22 | 10011509 | SCREW | 2 |
| 23 | 10011757 | NEEDLE HOLE GUIDE | 1 |
| 24 | 10008027 | NEEDLE PLATE | 1 |
| 25 | 10004857 | NEEDLE DP×5 11# | 1 |
| 26 | 10011755 | FEED PLATE | 1 |
| 27 | 10011758 | WORK CLAMP FOOT, LEFT | 1 |
| 28 | 10011759 | WORK CLAMP FOOT, RIGHT | 1 |



Dealer: